

SPARE PARTS LIST

Machine cutting torch MS 932-A/PMYE

Type of gases: acetylene, propane, methane, MAPP, ethylene

LISTE DES PIÈCES DE RECHANGE

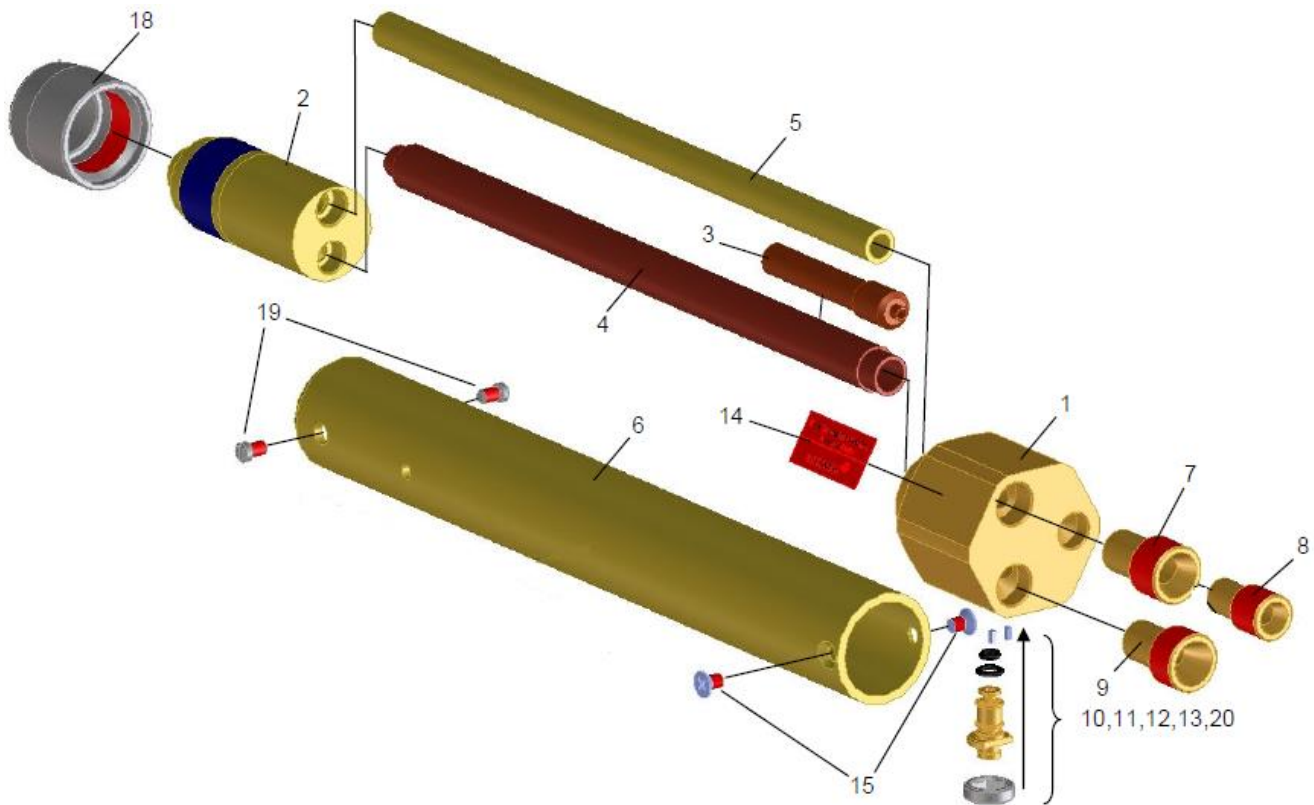
Chalumeau coupeur machine MS 932-A/PMYE

Type de gaz: acétylène, propane, méthane, MAPP, éthylène

LISTA DE REQUERSTOS

Soplete de corte de la máquina MS 932-A/PMYE

Tipo de gas: acetileno, propano, metano, MAPP, etileno



Pos. Item Pos.	Benennung Description Désignation Nombre	Sach. Nr. / Art. no. No. d'article / Art. No.					
		MS 932/110-A 716.11412	MS 932/110- PMYE 716.11413	MS 932/160-A 716.11414	MS 932/160- PMYE 716.11415	MS 932/250-A 716.11315	MS 932/250- PMYE 716.11317
1-20	Maschinenschneidbr. MS Machine Cutting Torch MS Chalumeau coupeur machine MS Soplete de corte de la máquina MS						
1	Ventilkörper Valve body Corps de soupape Cuerpo de valvula	716.11119	→	→	→	→	→
2	Brennerkopf Torch head Tete porte-buses Cabeza del soplete	716.11314	→	→	→	→	→
3	Mischdüse Mixing nozzle Buse melangeuse Boquilla de mezcla	716.11120	→	→	→	→	→
4	Mischrohr Mixing tube Tube melangeur Tubo de mezcla	716.11151	→	716.11152	→	716.11121	→
5	Schneid-O2-Rohr Cutting oxygen tube Tube pour oxygene de coupe Tube para oxigeno de corte	716.11153	→	716.11154	→	716.11126	→
6	Führungsrohr Guide tube Canalisation de conduite Tubo de guía	716.11155	→	716.11156	→	716.11125	→
7	Gewindestutzen G3/8" Thread socket Manchon de fil Extremo roscado	677.01963	→	→	→	→	→

Ersatzteilliste

Maschinenschneidbrenner MS 932 – A/PMYE

Spare Parts List

für zylindrische Schneiddüsen

Brenngase: Acetylen, Propan, Methan, MAPP, Ethylen

Pos. Item Pos.	Benennung Description Désignation Nombre	Sach. Nr. / Art. no. No. d'article / Art. No.					
		MS 932/110-A	MS 932/110- PMYE	MS 932/160-A	MS 932/160- PMYE	MS 932/250-A	MS 932/250- PMYE
8	Gewindestutzen G1/4" Thread socket Manchon de fil Extremo roscado	677.51426	→	→	→	→	→
9	Gewindestutzen G3/8" LH Thread socket Manchon de fil Extremo roscado	677.01964	→	→	→	→	→
10	Druckdüse Pressure nozzle Injecteur Junta toroidal	716.11163	716.11172	716.11163	716.11172	716.11163	716.11172
11	O-Ring 5x1,5 O-ring Joint torique Junta toroidal	0.329.392	→	→	→	→	→
12	O-Ring 3x1,5 O-ring Joint torique Junta toroidal	770.20048	→	→	→	→	→
13	Gewindescheibe Thread disc Disque filete Disco roscada	540.11180	→	→	→	→	→
14	Typenschild Type plate Plaque signalétique Placa de tipo	716.11387	716.11388	716.11416	716.11417	716.11383	716.11384
15	Senkschraube M4x6 Countersunk screw Vis de fixation Tornillo avellanado	0.233.730	→	→	→	→	→

Pos. Item Pos.	Benennung Description Désignation Nombre	Sach. Nr. / Art. no. No. d'article / Art. No.					
		MS 932/110-A	MS 932/110- PMYE	MS 932/160-A	MS 932/160- PMYE	MS 932/250-A	MS 932/250- PMYE
18	Düsenmutter MS 932 Nozzle nut Écrou Tuerca	716.11316	→	→	→	→	→
19	Zapfenschraube M4x3 Trunnion screw Vis de robinet Tornillo del pasador	174.85514	→	→	→	→	→
20	Zylinderstift Cylindrical pin Goupille de cylindre Perno cilíndrico	169.20180	→	→	→	→	→
Werkzeuge und Zubehör für Maschinenschneidbrenner MS							
Tools and accessories for machine cutting torches MS Outils et accessoires pour les chalumeaux coupeurs de machines MS Herramientas y accesorios para el corte a máquina de las antorchas MS							
	Richtwerkzeug mit Zapfen Straightening tool Outil a dresser Instrumento para enderezar	JV 4731	→	→	→	→	→
	Druckdüsenschlüssel Pressure nozzle spanner Clé de bec de pression Llave inglesa del inyector de la presión	540.11250	→	→	→	→	→
	Vorbauschneideisen G 1/4 Screw plate Filiere simple cojinete redonto para roscar	0.948.182	→	→	→	→	→
	Vorbauschneideisen G 3/8 RH Screw plate Filiere simple cojinete redonto para roscar	0.948.322	→	→	→	→	→

Werkzeuge und Zubehör für Maschinenschneidbrenner MS		MS 932/110-A	MS 932/110- PMYE	MS 932/160-A	MS 932/160- PMYE	MS 932/250-A	MS 932/250- PMYE
Vorbauseisenschneidbrenner G 3/8 LH Screw plate Filiere simple Cojinete redonto para roscar		0.949.606	→	→	→	→	→
Schneiddüse VADURA 9215-A Cutting nozzle Buse de découpe Boquilla de corte	3 – 5 mm	716.16561	—	716.16561	—	716.16561	—
	6 – 10 mm	716.16562	—	716.16562	—	716.16562	—
	10 – 25 mm	716.16563	—	716.16563	—	716.16563	—
	25 – 40 mm	716.16564	—	716.16564	—	716.16564	—
	40 – 60 mm	716.16565	—	716.16565	—	716.16565	—
	60 – 100 mm	716.16566	—	716.16566	—	716.16566	—
	100 – 150 mm	716.16567	—	716.16567	—	716.16567	—
	150 – 230 mm	716.16568	—	716.16568	—	716.16568	—
	230 – 300 mm	716.16569	—	716.16569	—	716.16569	—
	Heizdüsen						
3 – 100 mm	716.16550	—	716.16550	—	716.16550	—	
100 – 300 mm	716.16560	—	716.16560	—	716.16560	—	
Schneiddüse GRICUT 9230-PMYE Cutting nozzle Buse de coupe Boquilla para cortar	3 – 10 mm	—	716.16551	—	716.16551	—	716.16551
	7 – 15 mm	—	716.16552	—	716.16552	—	716.16552
	15 – 25 mm	—	716.16553	—	716.16553	—	716.16553
	25 – 40 mm	—	716.16554	—	716.16554	—	716.16554
	40 – 60 mm	—	716.16555	—	716.16555	—	716.16555
	60 – 100 mm	—	716.16556	—	716.16556	—	716.16556
	100 – 200 mm	—	716.16557	—	716.16557	—	716.16557
	200 – 250 mm	—	716.16558	—	716.16558	—	716.16558
	250 – 300 mm	—	716.16559	—	716.16559	—	716.16559
	Heizdüsen						
3 – 100 mm	—	716.16550	—	716.16550	—	716.16550	
100 – 300 mm	—	716.16560	—	716.16560	—	716.16560	

Bitte Reparaturanleitung beachten
Please follow the repair instructions
Veuillez respecter les instructions de réparation
Rogamos prestar atención a las instrucciones de
reparación

Änderungen vorbehalten
Subject to alterations
Droit de modification réserve
Salvo modificación

MESSER Cutting Systems GmbH
Otto-Hahn-Str. 2-4
D-64823 Groß-Umstadt
Tel.: +49 (0) 6078 787-0
Fax: +49 (0) 6078 787-150
E-Mail: info@messer-cutting.com

© Messer Cutting Systems
® = registriertes Warenzeichen
Quality management system